



PROTECT

combined with active carbon



698695

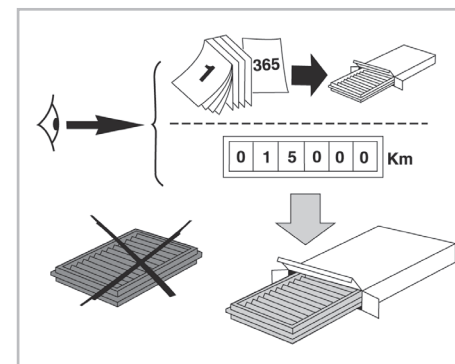
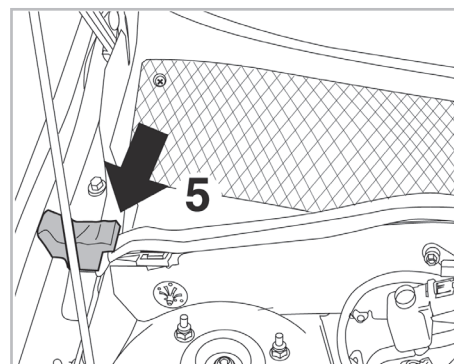
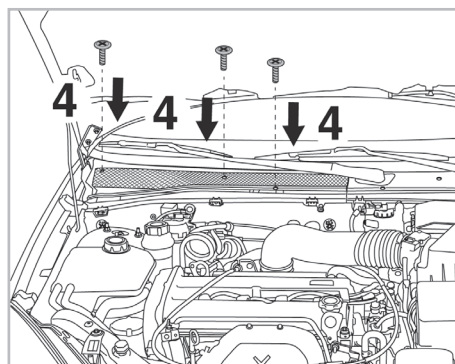
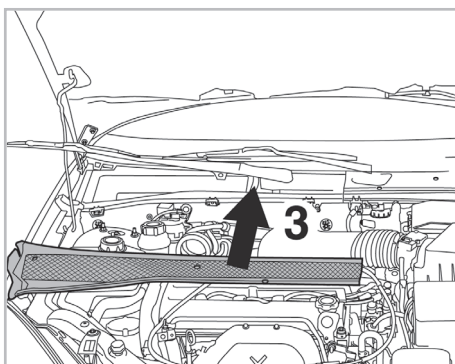
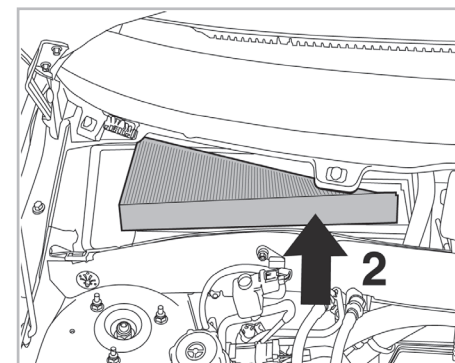
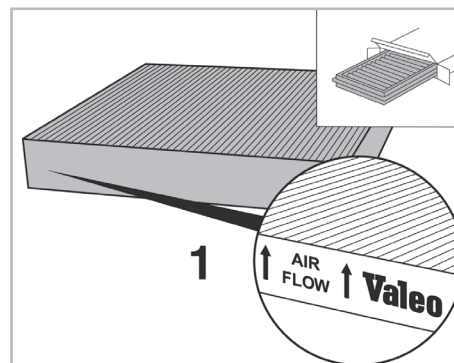
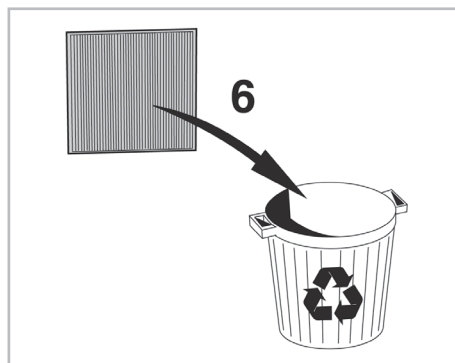
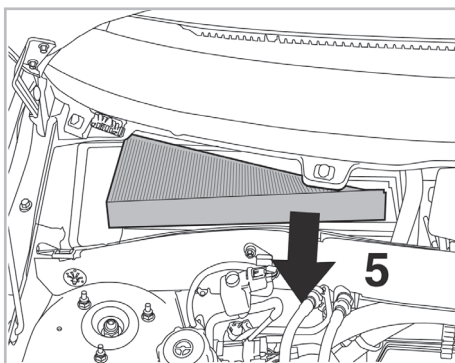
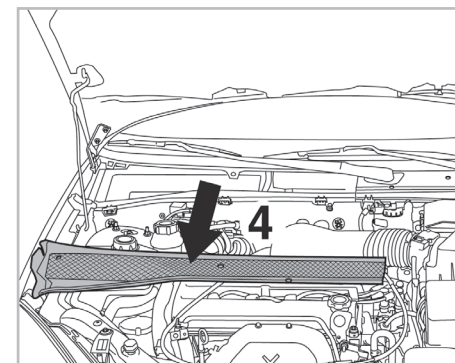
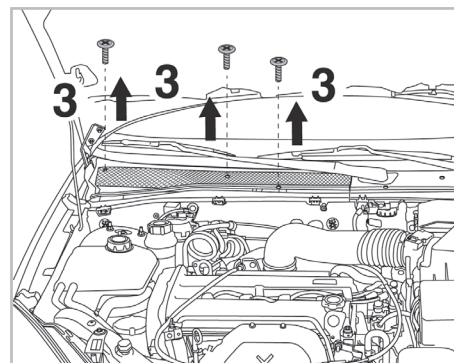
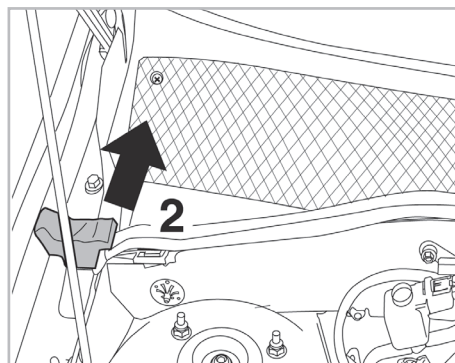
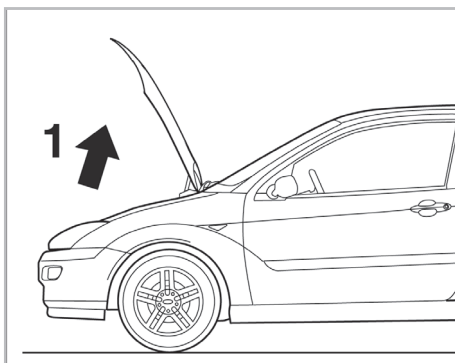
FH444



CA

FOR
FORD

FOCUS I A/C+ (10/98 > 09/04)



WANT TO
KNOW MORE?



www.valeo-techassist.com

Valeo Service - Société par Actions simplifiée - Capital de 12 900 000 € - 70, rue Ployel, 93285 Saint-Denis Cedex - France - B 306 486 408 RCS Bobigny